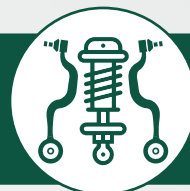


LAND ROVER FRONT & REAR SUBFRAME BUSHES

STEERING &
SUSPENSION



Issue Date: 12/2018 Issue Number: SSTB0014F

APPLICATION: Land Rover Discovery Sport 2014 >, Freelander II 2006 > 15, Evoque 2011 > 18

APPLICABLE REFERENCES: FSK8053, FSK8054, FSK8076, FSK8077

We have received numerous requests for replacement bushes for the Front and Rear Subframes on the Land Rover Discovery Sport, Freelander II and Evoque. First Line supplies these bushes separately. It is advised that these are replaced in pairs and that they are always pressed in and out using professional tooling.

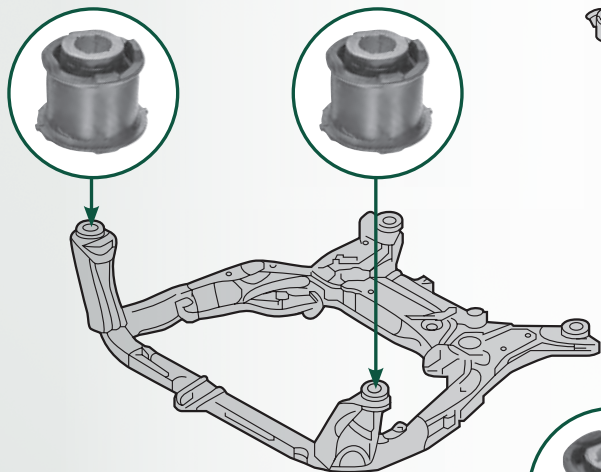
AT A GLANCE



FRONT AXLE

FSK8053

Front Axle Front Inner Bush



REAR AXLE

FSK8077

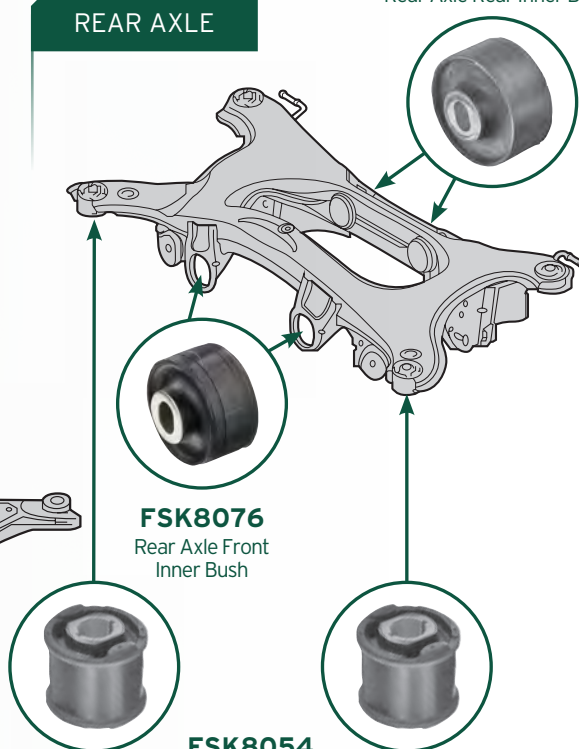
Rear Axle Rear Inner Bush

FSK8076

Rear Axle Front Inner Bush

FSK8054

Rear Axle Front Outer Bush



Product Information

If you require any further information please visit our website
or contact the Technical Department on +44 (0)1869 329 709

FIRST LINE
THE ALL MAKES SPECIALIST